



VISITANOS EN: ARECIBO 787.623.0014 | CAGUAS 787.757.8600
GUAYNABO 787.622.3710 | MAYAGÜEZ 787.575.8600

HORARIO TIENDAS: Lunes a Viernes 7:00am - 5:00pm / Sábados 8:00am - 12:00M

info@warren-ecm.com

www.warren-pr.com    



DISTRIBUTION



CATÁLOGO



MONOFASICO



Catálogo	Descripción
1. WDC2460RNM	Surface Plastic Panel 4ckt MLO Nema 3R 60A 120/240V
2. CUTLBR24L70RP	Surface Galv. Panel 4ckt MLO Nema 3R 70A 120/240V
3. CUTLBR48L125SP	Surface Aluminum Panel 8ckt MLO Nema 1 125A 120/240V
4. CUTLBR48L125RP	Surface Aluminum Panel 8ckt MLO Nema 3R 125A 120/240V
5. CUTLBR816L125FDP	Flush Aluminum Panel 16ckt MLO Nema 1 125A 120/240V
6. CUTLBR816L125RP	Surface Aluminum Panel 16ckt MLO Nema 3R 125A 120/240V
7. CUTLBRP12L125	Surface/Flush Aluminum Panel 24ckt MLO Nema 1 125A 120/240V
8. CUTLBRP12L125R	Surface Aluminum Panel 24ckt MLO Nema 3R 125A 120/240V
9. CUTLBRP20L200	Surface/Flush Aluminum Panel 40ckt MLO Nema 1 125A 120/240V
10. CUTLBRP42LC225	Surface Aluminum Panel 42ckt MLO Nema 1 125A 120/240V



PANELBOARDS

30 YEARS OF DISTRIBUTION EQUIPMENT INVENTORY MANAGEMENT AND SUCCESS

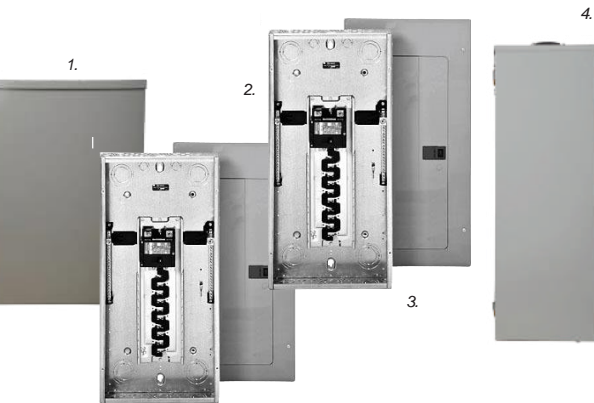
Warren's Distribution Equipment Division provides thorough solutions for everyday electrical applications. For over 30 years we have supplied government, utilities, industrial, institutional and contractor markets with leading materials to achieve successful electrical applications that power end user operations.

With Warren, our customers count on a large array of solutions an manufacturers with a successful track record for quality products and materials. feel free to explore our inventory and non-stock solutions as well as our wide range of services geared towards efficient and effective logistical results.

DISTRIBUTION EQUIPMENT SOLUTIONS

- Loadcenters
- Panelboards
- Switchboards
- Circuit Breakers (LV-Miniature, Molded Case)
- Capacitors Banks (LV& MV)
- Surge Protectors
- Meterbanks (meterbanks, meter sockets & breakers combination, spare parts)
- Motors (NEMA & IEC FRAMES)
- Starters
- Transfer Switches (manual, automatic)
- Safety Switches (fused/non-fused, general/heavy duty, NEMA 1, 3R, 4X)
- A/C Disconnects
- Motor Control Centers (LV& MV)
- Medium Voltage Equipment (transclosures, switching units, MV control)
- MV Circuit Breakers (vacuum, SF6 insulated)
- Molded Cable Terminators (loadbreak elbows, junction bar, surge arrestors, plugs)
- Line Hardware
- Substations (structures, unit-sub transformers)
- Transformers (pole type, dry-type, pad-mounted, substation type)
- Engineering Services (load studies, retrofits, PFCorrection)

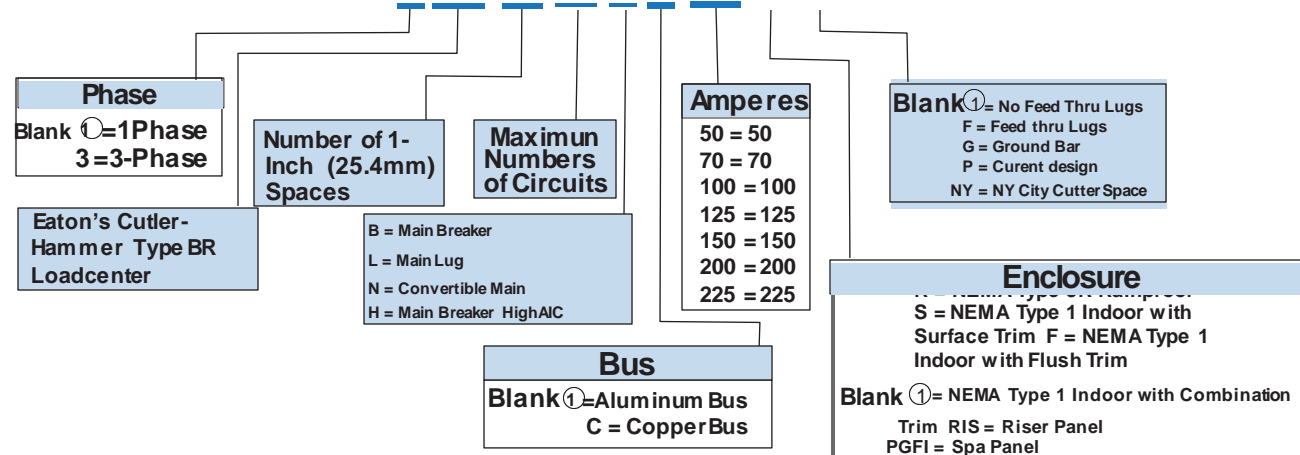
TRIFÁSICO



Catálogo	Descripción
1. CUTL3BR1224L125R	Surface Aluminum Panel 24ckt MLO Nema 3R 125A 120/240V
2. CUTL3BR3042L200	Surface/Flush Aluminum Panel 42ckt MLO Nema 1 200A 120/240V
3. CUTL3BR4242L225	Surface/Flush Aluminum Panel 42ckt MLO Nema 1 225A 120/240V
4. CUTLBR4242L225R	Surface Aluminum Panel 42ckt MLO Nema 3R 225A 120/240V

SINGLE- AND THREE-PHASE THROUGH 225 AMPERES CATALOG NUMBERING SYSTEM

3 BR 30 42 BC 200



PURCHASE IN ANY OF OUR 3 SERVICES CENTERS

2017

NATIONAL ASSOCIATION OF ELECTRICAL DISTRIBUTORS
MEMBER



SAFETY SWITCH

NON FUSIBLE

Catálogo	Descripción
CUTLDH361UGK	Disconect 30A 3P 600V Nema 1
CUTLDH361URK	Disconect 30A 3P 600V Nema 3R
CUTLDH361UWK	Disconect 30A 3P 600V Nema 4X SS
CUTLDH362UGK	Disconect 60A 3P 600V Nema 1
CUTLDH362URK	Disconect 60A 3P 600V Nema 3R
CUTLDH362UWK	Disconect 60A 3P 600V Nema 4X SS



Catálogo	Descripción
CUTLDH363UGK	Disconect 100A 3P 600V Nema 1
CUTLDH363URK	Disconect 100A 3P 600V Nema 3R
CUTLDH363UWK	Disconect 100A 3P 600V Nema 4X SS
CUTLDH364UGK	Disconect 200A 3P 600V Nema 1
CUTLDH364URK	Disconect 200A 3P 600V Nema 3R
CUTLDH364UWK	Disconect 200A 3P 600V Nema 4X SS



Catálogo	Descripción
CUTLDG221UGB	Disconect 30A 2P 240V Nema 1
CUTLDG221URB	Disconect 30A 2P 240V Nema 3R
CUTLDG222UGB	Disconect 60A 2P 240V Nema 1
CUTLDG222URB	Disconect 60A 2P 240V Nema 3R

FUSIBLE

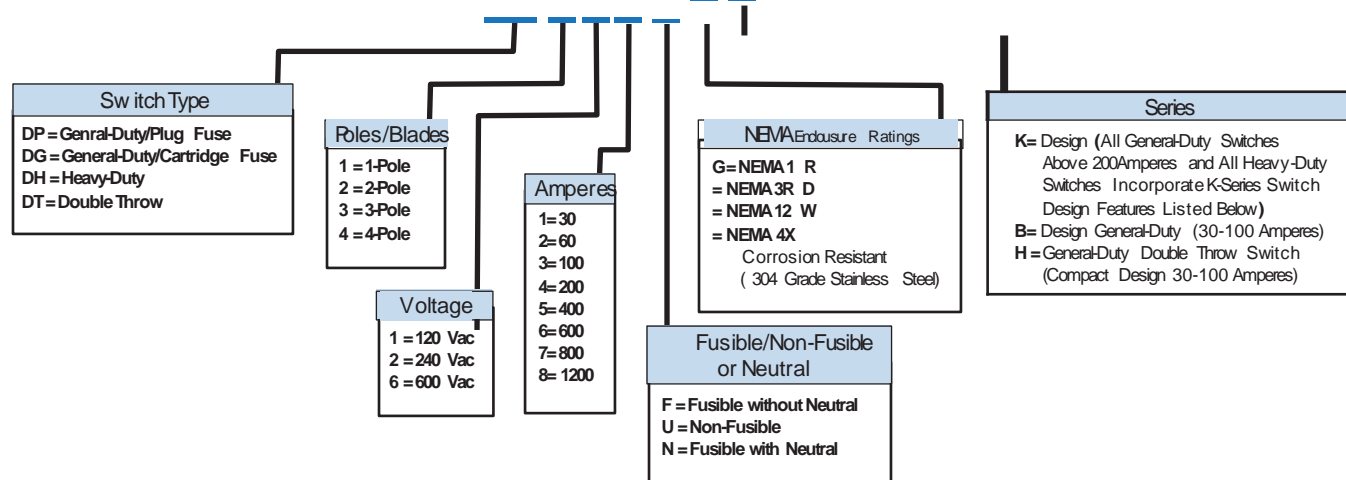
Catálogo	Descripción
CUTLDH361FGK	Safety Switch 30A 3P 600V Nema 1
CUTLDH361FRK	Safety Switch 30A 3P 600V Nema 3R
CUTLDH362FGK	Safety Switch 60A 3P 600V Nema 1
CUTLDH362FRK	Safety Switch 60A 3P 600V Nema 3R
CUTLDH363FGK	Safety Switch 100A 3P 600V Nema 1
CUTLDH363FRK	Safety Switch 100A 3P 600V Nema 3R
CUTLDH364FGK	Safety Switch 200A 3P 600V Nema 1
CUTLDH364FRK	Safety Switch 200A 3P 600V Nema 3R



Fuse For Safety Switch

Catálogo	Descripción
BUSSFRNR20	Fuse 20A 250V
BUSSFRNR30	Fuse 30A 250V
BUSSFRNR60	Fuse 60A 250V
BUSSFRNR100	Fuse 100A 250V
BUSSFRSR15	Fuse 15A 600V
BUSSFRSR20	Fuse 20A 250V
BUSSFRSR30	Fuse 30A 250V
BUSSFRSR60	Fuse 60A 250V
BUSSFRSR100	Fuse 100A 250V

DG 2 2 1 N R B



HEAVY DUTY

GENERAL DUTY

HEAVY DUTY

BREAKERS

BREAKERS PLUG-IN

Catálogo	Descripción
CUTLBR120	Breaker Plug-In 1P 20A 120/208V & 120/240V
CUTLBR130	Breaker Plug-In 1P 30A 120/208V & 120/240V
CUTLBR140	Breaker Plug-In 1P 40A 120/208V & 120/240V
CUTLBR150	Breaker Plug-In 1P 50A 120/208V & 120/240V
CUTLBR220	Breaker Plug-In 2P 20A 120/208V & 120/240V
CUTLBR230	Breaker Plug-In 2P 30A 120/208V & 120/240V



Catálogo	Descripción
CUTLBR240	Breaker Plug-In 2P 40A 120/208V & 120/240V
CUTLBR250	Breaker Plug-In 2P 50A 120/208V & 120/240V
CUTLBR260	Breaker Plug-In 2P 60A 120/208V & 120/240V
CUTLBR2100	Breaker Plug-In 2P 100A 120/208V & 120/240V
CUTLBR320	Breaker Plug-In 3P 20A 120/208V & 120/240V
CUTLBR350	Breaker Plug-In 3P 50A 120/208V & 120/240V

BREAKERS BOLT-ON

Catálogo	Descripción
CUTLBAB1020	Breaker Bolt-On 1P 20A 120/208V & 120/240V
CUTLBAB1030	Breaker Bolt-On 1P 30A 120/208V & 120/240V
CUTLBAB2020	Breaker Bolt-On 2P 20A 120/208V & 120/240V
CUTLBAB2030	Breaker Bolt-On 2P 30A 120/208V & 120/240V
CUTLBAB2040	Breaker Bolt-On 2P 40A 120/208V & 120/240V
CUTLBAB2050	Breaker Bolt-On 2P 50A 120/208V & 120/240V



Catálogo	Descripción
CUTLBAB2060	Breaker Bolt-On 2P 60A 120/208V & 120/240V
CUTLBAB2100	Breaker Bolt-On 2P 100A 120/208V & 120/240V
CUTLBAB3020H	Breaker Bolt-On 2P 60A 120/208V & 120/240V
CUTLBAB3030H	Breaker Bolt-On 2P 100A 120/208V & 120/240V
CUTLBAB3050H	Breaker Bolt-On 3P 50A 120/208V & 120/240V
CUTLBAB3060H	Breaker Bolt-On 3P 60A 120/208V & 120/240V
CUTLBAB30100H	Breaker Bolt-On 3P 100A 120/208V & 120/240V

BREAKERS 480/277V BOLT-ON

Catálogo	Descripción
CUTLGHB1020	Breaker Bolt-On 1P 20A 480/277V
CUTLGHB2020	Breaker Bolt-On 2P 20A 480/277V
CUTLGHB2030	Breaker Bolt-On 2P 30A 480/277V
CUTLGHB2040	Breaker Bolt-On 2P 40A 480/277V
CUTLGHB2050	Breaker Bolt-On 2P 50A 480/277V
CUTLGHB3020	Breaker Bolt-On 3P 20A 480/277V



Catálogo	Descripción
CUTLGHB3030	Breaker Bolt-On 3P 30A 480/277V
CUTLGHB3040	Breaker Bolt-On 3P 40A 480/277V
CUTLGHB3050	Breaker Bolt-On 3P 50A 480/277V
CUTLGHB3060	Breaker Bolt-On 3P 60A 480/277V
CUTLGHB3100	Breaker Bolt-On 3P 100A 480/277V
CUTLGHQ1020	Breaker Bolt-On 1P 20A 480/277V





PRL2 480/277V

1. CUTLPL1A1100MLO30C	Surface Panel Top/Bottom MLO 1φ 3W 30ckt Indoor 125A 120/240V
2. CUTLPL1A1225MLO42C	Surface Panel Top/Bottom MLO 1φ 3W 42ckt Indoor 225A 120/240V
3. CUTLPL1A3225MLO18C	Surface Panel Top/Bottom MLO 3φ 4W 18ckt Indoor 225A 208/120V
4. CUTLPL1A3225MLO42C	Surface Panel Top/Bottom MLO 3φ 4W 42ckt Indoor 225A 208/120V
5. CUTLPL1A3400MLO42C	Surface Panel Top/Bottom MLO 3φ 4W 42ckt Indoor 400A 208/120V



Catálogo	Descripción
CUTLPL2A3225MLO18C	Surface Panel Top/Bottom MLO 3φ 4W 18ckt Indoor 225A 480/277V
CUTLPL2A3225MLO42C	Surface Panel Top/Bottom MLO 3φ 4W 42ckt Indoor 225A 480/277V

Panelboards PRL1		Panelboards PRL2	
Size Box and Trim	Main Device	Size Box and Trim	Main Device
1. 20" x 48"	MLO	1. 20" x 36"	MLO/MCB
2. 20" x 48"	MLO	2. 20" x 60"	MLO/MCB
3. 20" x 36"	MLO/MCB		
4. 20" x 48"	MLO/MCB		
5. 20" x 48"	MLO		

MAIN BREAKER KIT



Catálogo	Descripción
CUTL1C96604G02CNV22	Ensamble Principal Breaker FD3225, 225Amp. Max, 3Phase, Bare CU, TOP FED, PRL1/A
CUTL1C96604G02CNV20	Ensamble Principal Breaker FD3200, 200Amp. Max, 3Phase, Bare CU, TOP FED, PRL1/A
CUTL1C96604G02CNV15	Ensamble Principal Breaker FD3150, 150Amp. Max, 3Phase, Bare CU, TOP FED, PRL1/A



PULLOUT

Catálogo	Descripción
CUTLSMB120AL	Aluminum Pullout Over Single 1φ 125A 120/240V
CUTLSMB120UOAL	Aluminum Pullout Under Single 1φ 125A 120/240V
CUTLMTMB212UOAL	Aluminum Pullout Over/Under Dual 1φ 125A 120/240V
CUTLMBEB200BTS	Aluminum Pullout Over Single 1φ 200A 120/240V
CUTLPVP12UOAL	Solar Aluminum Pullout Over Single 1φ 100A 120/240V



TRANSFER SWITCH

AUTOMATIC

Catálogo	Descripción
CUTLEGSU100ACA	Automatic Transfer Switch, Load management, CHSPT2ULTRA surge protection, 100A, 120/240V, Two-pole, NEMA 3R enclosure, 50/60 Hz, Mechanically held
CUTLEGSU200ACA	Automatic Transfer Switch, Load management, CHSPT2ULTRA surge protection, 200A, 120/240V, Two-pole, NEMA 3R enclosure, 50/60 Hz, Mechanically held



MANUAL

Catálogo	Descripción
CUTLDT223URHN	Manual Transfer Switch 2P 100A 240V NEMA 3R



BREAKERS

DUPLEX BREAKERS

Catálogo	Descripción
CUTLBD2020	Duplex Breaker 1P2-20A 120/240V
CUTLBD2030	Duplex Breaker 1P 1/20A 1/30A 120/240V
CUTLBQ220220	Duplex Breaker 2P2/20A 120/240V



PROTECTORS BREAKERS

Catálogo	Descripción
CUTLBR SURGE	Surge Protector 120/240V
CUTLGFCB120	Ground Fault Circuit Breaker 120V



MOLDED CASE CIRCUIT BREAKERS



Catálogo	Descripción
CUTLEDB3200	Molded Case Breaker 3P Lug to Lug 200A 120/240V
CUTLFD3200	Molded Case Breaker 3P Lug to Lug 200A 480/277V
CUTLKD3400W	Molded Case Breaker 3P Lug to Lug 400A 120/240V
CUTLKD3400	Molded Case Breaker 3P Lug to Lug 400A 480/277V
CUTLLD3600	Molded Case Breaker 3P for Panel & SwitchBoard 600A 480/277V
CUTLMDL3800	Molded Case Breaker 3P for Panel & SwitchBoard 800A 480/277V
CUTLND312T33W	Molded Case Breaker 3P for Panel & SwitchBoard 1200A 480/277V



MOUNTING KITS FOR PRL4A & SWITCHBOARD

Catálogo	Descripción	Catálogo	Descripción
1. CUTLKPRL4FD1	Twin Mtd 1Pole: ED,EHD,EDC,FD,FDB,HFD,FDC	7. CUTLKPRL4KDT	Twin mtg: KD,DK
2. CUTLKPRL4FD2	Twin Mtd 2Pole: ED,EHD,EDC,FD,FDB,HFD,FDC	8. CUTLKPRL4LD	Mtg Kit for: LD, HLD, LDC
3. CUTLKPRL4FD3	Twin Mtd 3Pole: ED,EHD,EDC,FD,FDB,HFD,FDC	9. CUTLKPRL4MC	Mtg Kit for: MD, HMD, MC
4. CUTLKPRL4JDS	Single mtg: JD	10. CUTLKPRL4NC	Mtg Kit for: ND, HND
5. CUTLKPRL4JDT	Twin mtg: JD		
6. CUTLKPRL4KDS	Single mtg: KD,DK		

